

Product Code	094.175	
Doc Ref: - Kilform	286/04/08	Rev Lvl 8
Drawn By	A.N.	29/08/2019
Approved By		
Approx Weight	515Kgs	P.N. 29/08/19

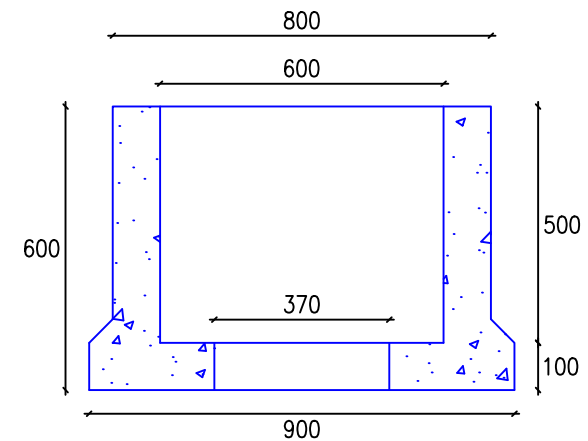
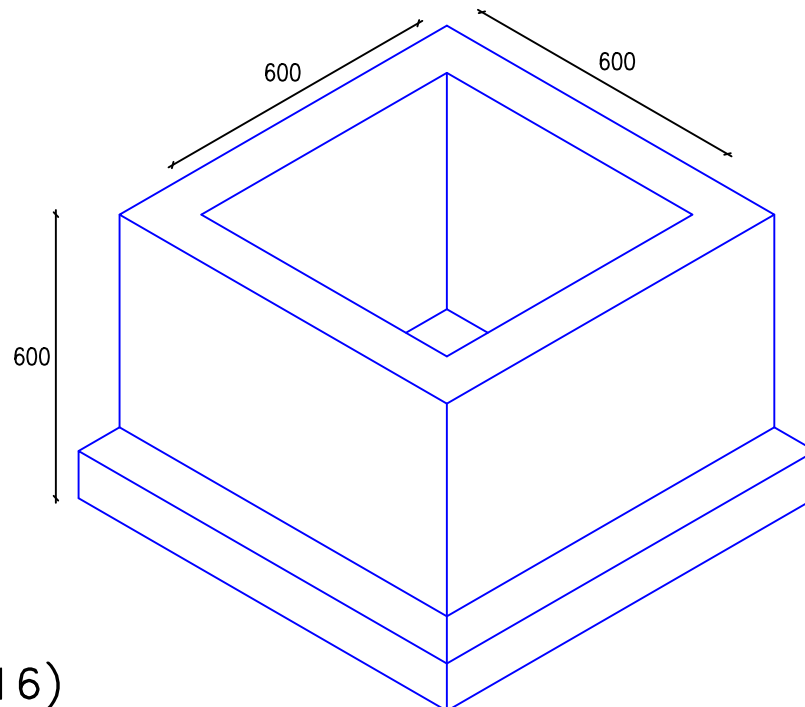
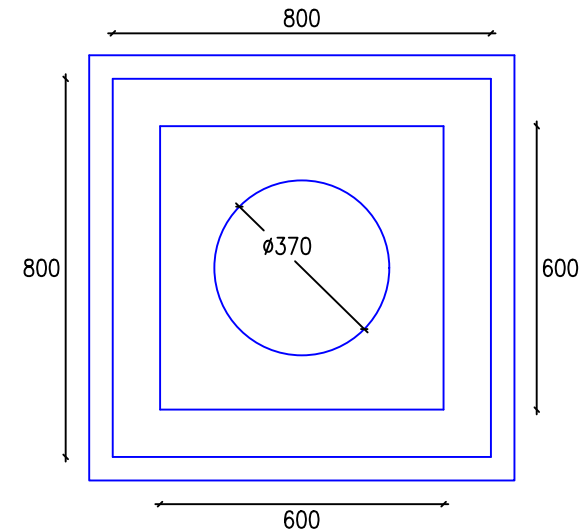
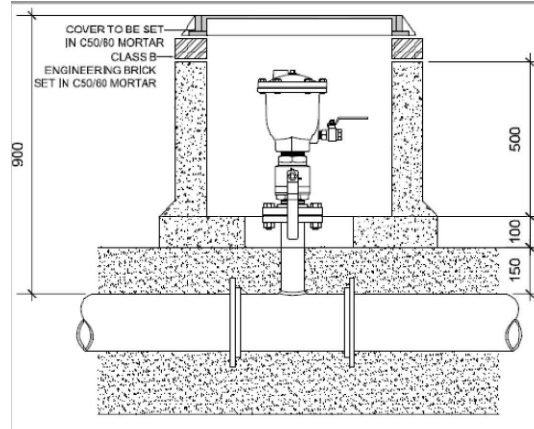


Note: All Vertical Faces Would Typically have a Taper of 4 mm in 100 mm.

All dimensions as per drawing and subject to tolerances of +/-4mm.

Drawing prepared by Alan Nugent. The release of this drawing confirms dimensions as stated have been checked and are correct.

Moulds:-



Scale (1:16)